

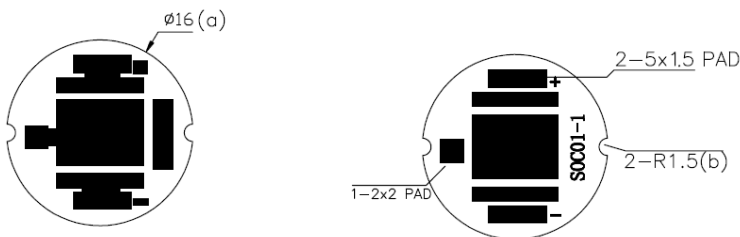
## Features

- ▶ **AL Series MCPCB**
- ▶ Round Module Series
- ▶ 1Piece / 3Pieces / 6Pieces / 11Pieces High Power LEDs in Series
- ▶ Suitable CREE XR-E/MC-E 1Watt~3Watt/12Watt High Power LEDs
- ▶ Secondary Optics Lens For CREE XR-E LED, Viewing angle : 87°25'40"~60°
- ▶ RoHS compliant
- ▶ OEM/ODM Service

## Dimensions

### SOC01-1

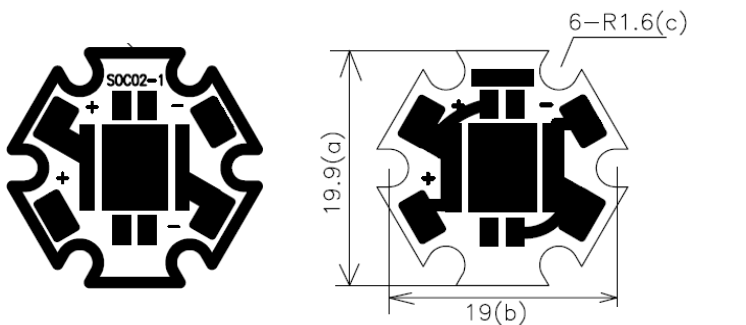
16mm (D) x 0.6mm (T)



Part No.: SOC01-1 / SOC01-1L

### SOC02-1 / SOC02-1L

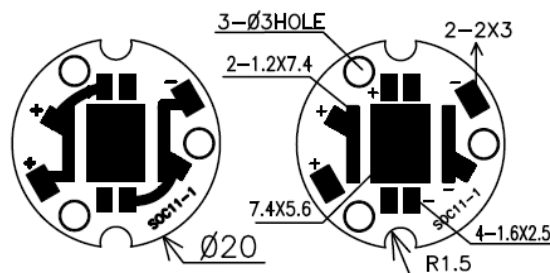
20mm (D) x 1.6mm (T)



Part No.: SOC02-1 / SOC02-1L

### SOC11-1 / SOC11-1L

20mm (D) x 2.0mm (T)

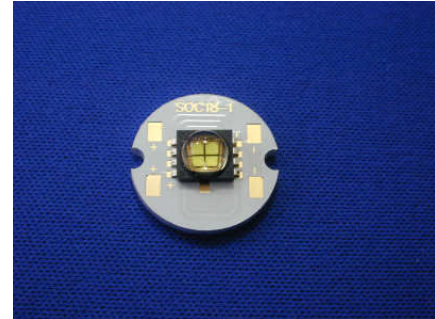
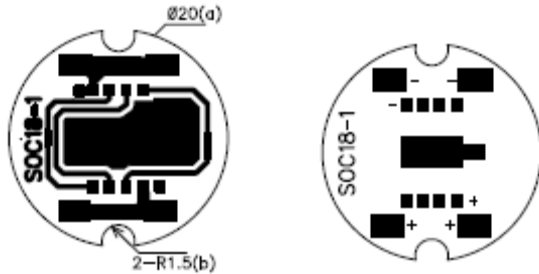


Part No.: SOC11-1L / SOC11-1

## SOC18-1

20mm (D) x 2.0mm (T)

For CREE MC-E , 4 chips in series design

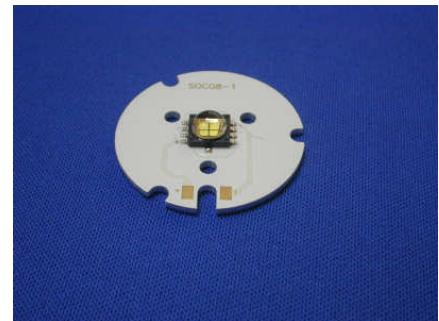
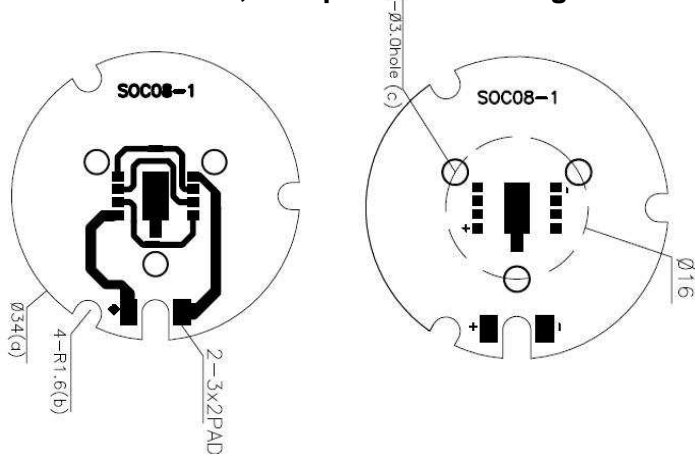


Part No.: SOC18-1

## SOC08-1

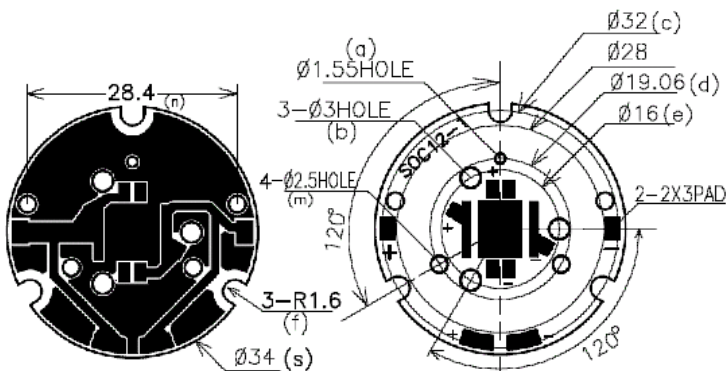
34mm (D) x 1.6mm (T)

For CREE MC-E , 4 chips in series design



## SOC12-1 / SOC12-1L

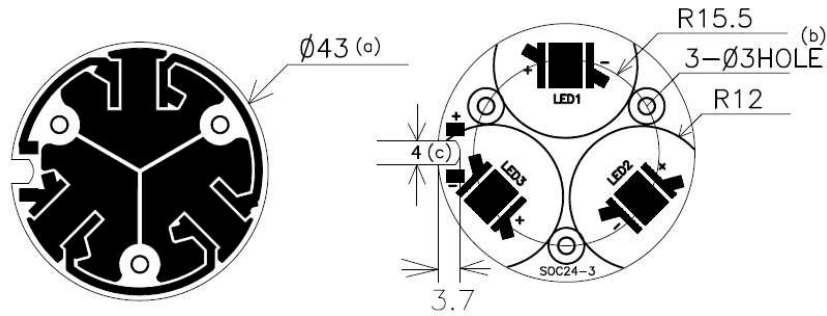
34mm (D) x 1.5mm (T)



Part No.: SOC12-1/ SOC12-1L

## SOC24-3

43mm (D) x 1.6mm (T)



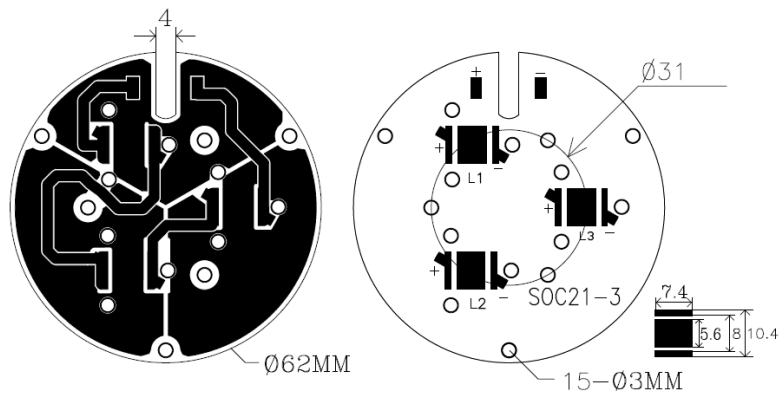
Part No.: SOC24-3



Part No.: SOC24-3L

## SOC21-3

62mm (D) x 2mm (T)



Part No.: SOC21-3

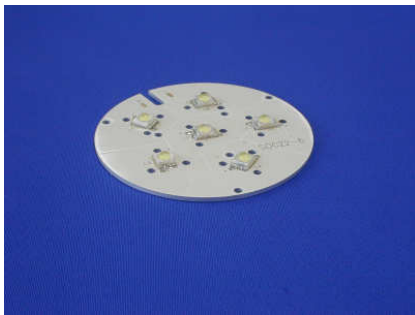
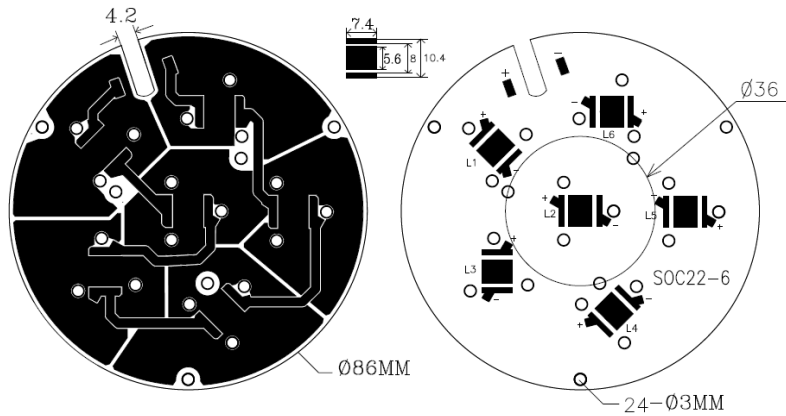


Part No.: SOC21-3L

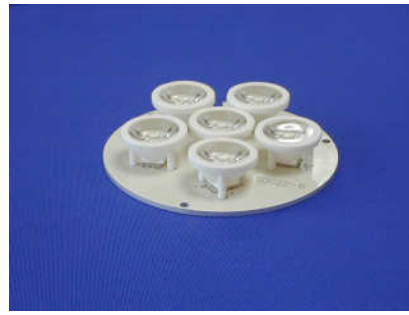
## Dimensions

### SOC22-6

86mm (D) x 2mm (T)



Part No: SOC22-6

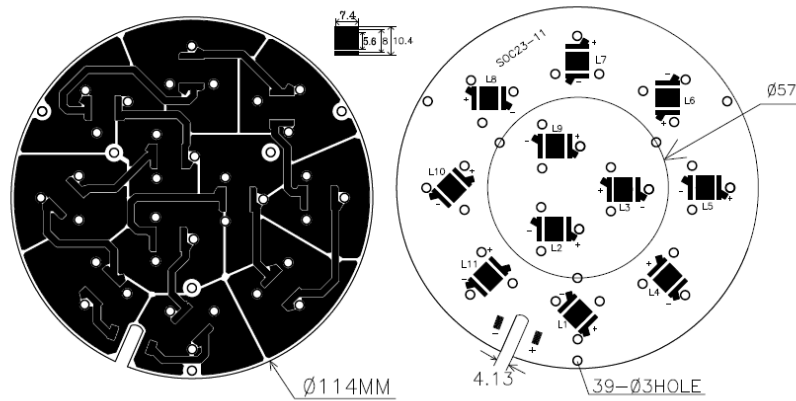


Part No: SOC22-6L

## Dimensions

### SOC23-11

114mm (L) x 2mm (T)



Part No: SOC23-11



Part No: SOC23-11L

## Description

Part NO.	LEDs	Secondary Optical Lens
SOC01-1	High Power LEDx1pcs	No
SOC01-1L	High Power LEDx1pcs	With Lens(Optional)
SOC02-1	High Power LEDx1pcs	No
SOC02-1L	High Power LEDx1pcs	With Lens(Optional)
SOC11-1	High Power LEDx1pcs	No
SOC11-1L	High Power LEDx1pcs	With Lens(Optional)
SOC18-1	CREE MCE LEDx1pcs	No
SOC08-1	CREE MCE LEDx1pcs	No
SOC12-1	High Power LEDx1pcs	No
SOC12-1L	High Power LEDx1pcs	With Lens(Optional)
SOC24-3	High Power LEDx3pcs	No
SOC24-3L	High Power LEDx3pcs	With Lens(Optional)
SOC21-3	High Power LEDx3pcs	No
SOC21-3L	High Power LEDx3pcs	With Lens(Optional)
SOC22-6	High Power LEDx6pcs	No
SOC22-6L	High Power LEDx6pcs	With Lens(Optional)
SOC23-11	High Power LEDx11pcs	No
SOC23-11L	High Power LEDx11pcs	With Lens(Optional)

\* Secondary Optics Lens For CREE XR-E LED, Viewing angle : 8°/25°/40°/60°

## CREE XR Lamp Optical-electrical Characteristics

(Ta =25°C)

Color	LED Code	Each LED Viewing Angle (degrees)	Wavelength(nm) or Color Temp.(K) (Typical)	1Watt LED @ 350mA	3Watt LED @ 700mA
White	C1W-E/C3W-E	90	6000K	100LM	170LM
Warm White	C1S-E/C3S-E	90	3300K	70LM	120LM

\* Secondary Optics Lens For CREE XR-E LED, Viewing angle : 8°/25°/40°/60°

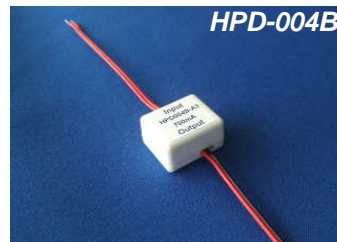
## Suitable Constant Current Driver



**HPD008B**



**HPD002B**



**HPD004B SERIES**



**HPD006B SERIES**



**HPD005B SERIES**



**HPD005B-ADJ**